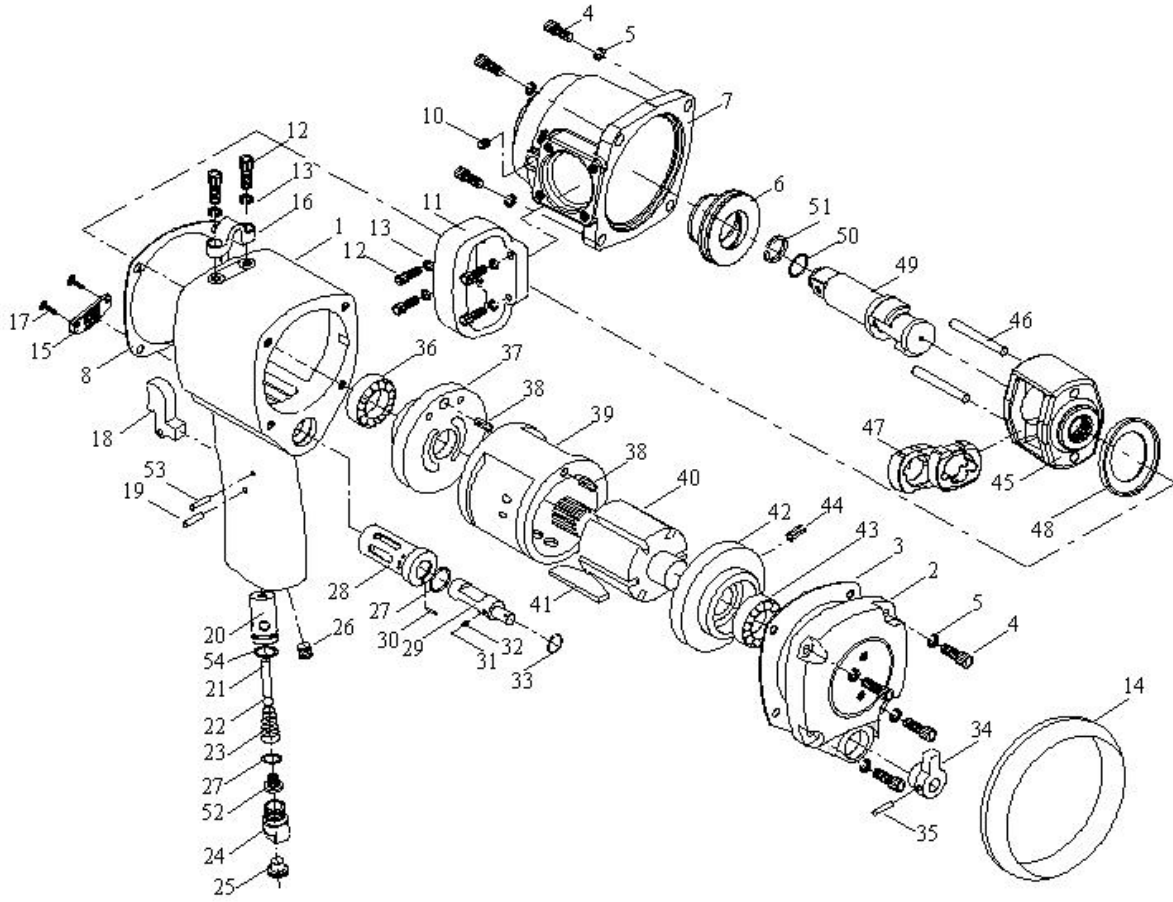


OS-220238 GAV HAVALI SOMUN SÖKME 1"

(TWIN-HAMMER IMPACT MECHANISM)



Item No.	Description	Q'ty	Item No.	Description	Q'ty
1	MOTOR HOUSING	1	29	REVERSE VALVE	1
2	REAR COVER	1	30	PIN	1
3	REAR GASKET	1	31	STEEL BALL	1
4	HEX. SOCKET BOLT	8	32	SPRING	1
5	SPRING WASHER	8	33	C-RING	1
6	ANVIL BUSHING	1	34	LEVER REVERSE	1
7	CLUTCH HOUSING	1	35	SPRING PIN	1
8	FRONT GASKET	1	36	BALL BEARING	1
10	CLAMP SCREW	1	37	FRONT END PLATE	1
11	HANDLE DEAD	1	38	SPRING PIN	2
12	HEX SOCKET BOLT	6	39	CYLINDER	1
13	SPRING WASHER	6	40	ROTOR	1
14	PROTECTING RUBBER	1	41	ROTOR BLADE	6
15	MUFFLE PLATE	1	42	REAR END PLATE	1
16	HANGER	1	43	BALL BEARING	1
17	PHILIPS PAN SCREW	2	44	SPRING PIN	1
18	TRIGGER	1	45	HAMMER CAGE	1
19	SPRING PIN	1	46	HAMMER PIN	2
20	THROTTLE BUSHING	1	47	HAMMER DOG	2
21	TRHOTTLE PIN	1	48	HAMMER WASHER	1
22	STEEL BALL	1	49	STANDARD ANVIL	1
23	SPRING	1	49-1	6" ANVIL	1
24	HOSE FITTING	1	50	O-RING	1
25	DUST COVER	1	51	ANVIL COLLAR	1
26	CLAMP SCREW	1	52	SCREEN	1
27	O-RING	2	53	SPRING PIN	1
28	VALVE SLEEVE	1	54	O-RING	1